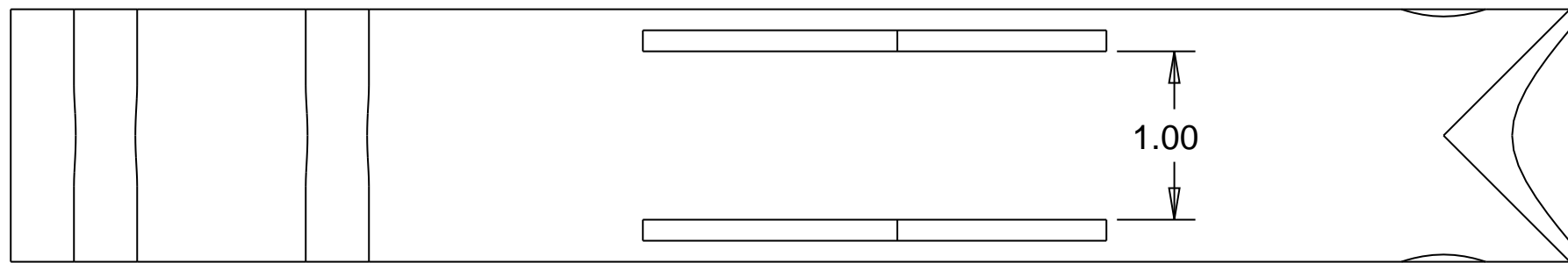
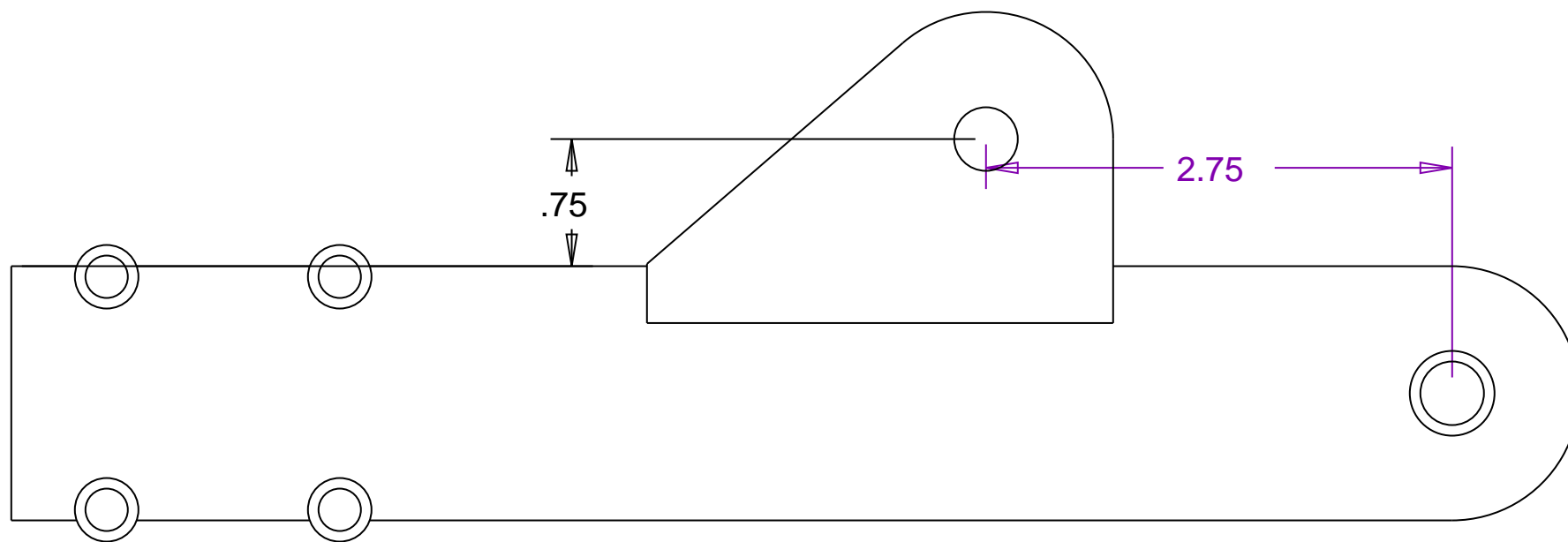


SCALE 0.750



1.00



.75

2.75

SCALE 1.000

	Super2		
	Main Gear LowerSwing Arm Assembly		
Aug 1st. 2012			