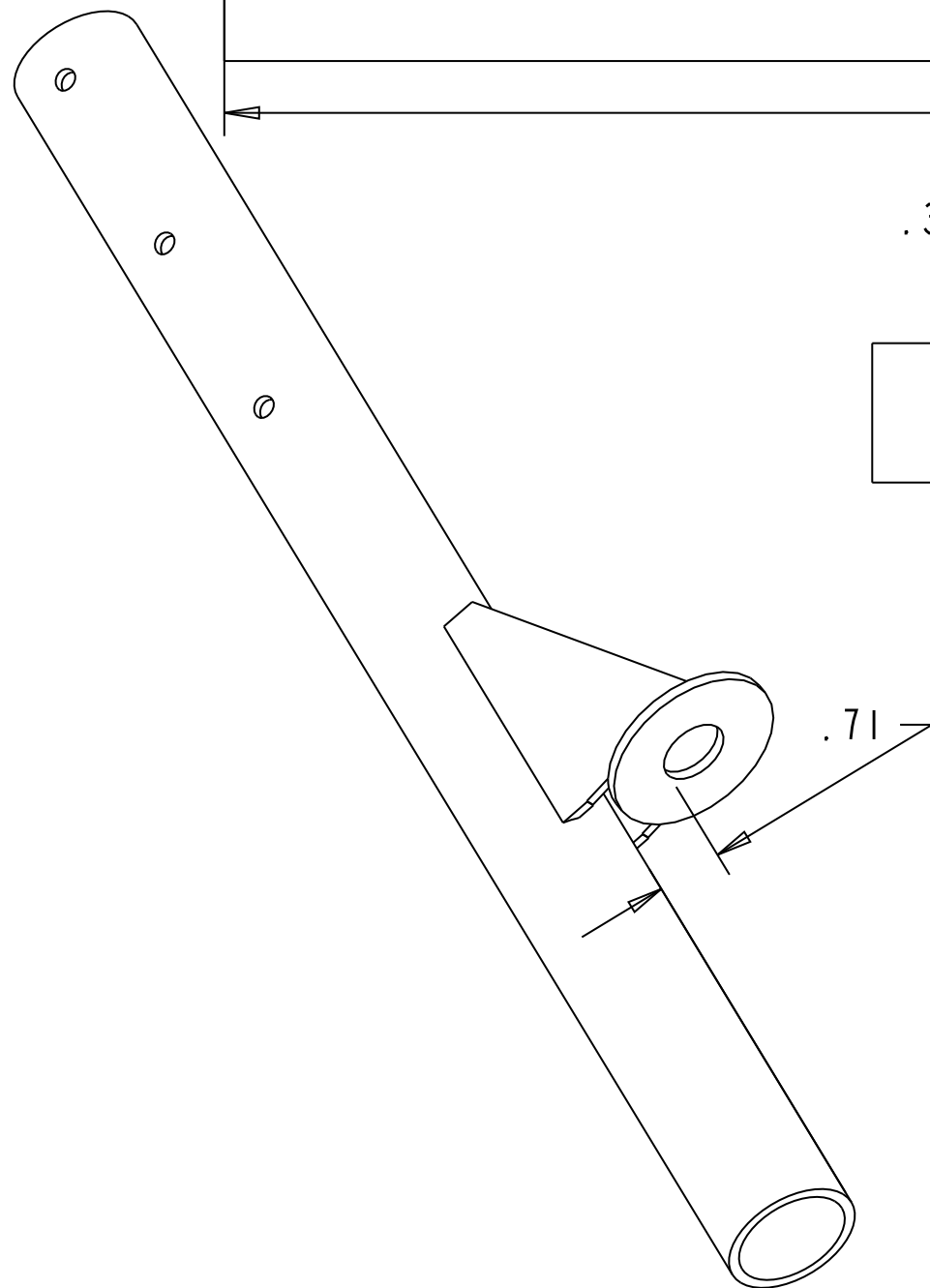
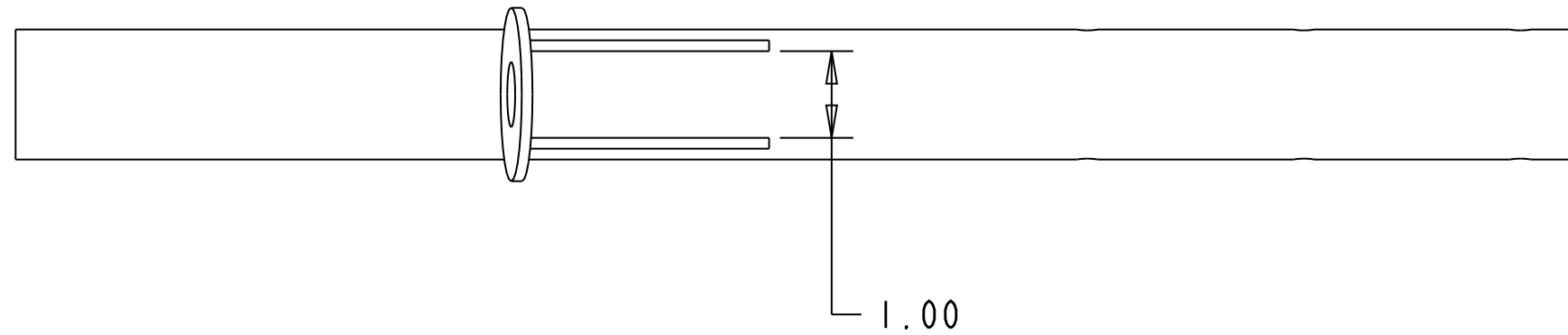


.375" hole - weld .375 OD X 1/16" wall tubing in place



Material: 1.5" OD X 1/8" thick 4130 steel tube
 Washer: 2" X .75" X .125" stainless

	Super2		
	Main Gear Upper Leg		
Feb 1st, 2012			